

Track System Specification

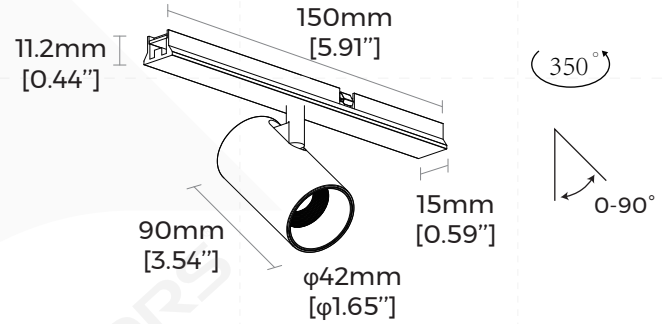
M15S-42

— MagTrack 15 series



【Basic Parameters】

- Material: AL6063-T5, spraying surface
- Coating: Black/White
- IP grade: IP20
- CCT: 3000/4000K optional
- CRI: 90
- SDCM(Whole Luminaire): <5 Step (ANSI)
- SDCM(Light source): <3 Step (ANSI)
- Input voltage: DC48V
- Working temperature: -15℃ ~35℃
- Lighting direction: Downward
- Dimming method: Non-dimming
- Application: Indoor
- Certification: CE, ROHS, Reach
- Warranty: 3 years



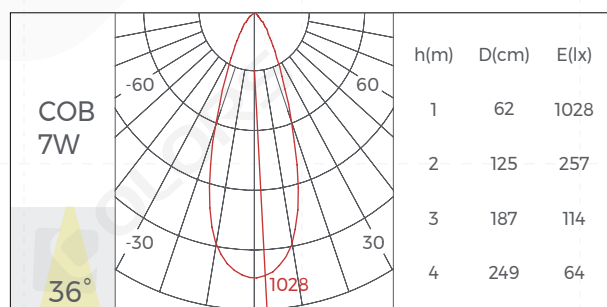
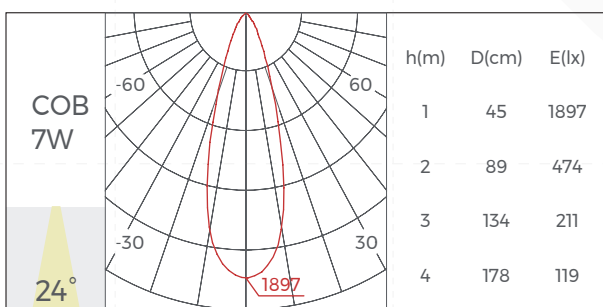
【Luminaire Parameters】

Version	Model	Size	Input Voltage (V)	Max. Current (A)	Type Power (W)	Max. Power (W)	CRI	Beam Angle	CCT	Lumen (LM)
Normal	M15S-42	φ40*90mm	48VDC	0.146	7.0	7.5	>90	24°	3000K	420
									4000K	450
								36°	3000K	420
									4000K	450

Note:

1. The output data is based on the testing result of Ra90,3000K luminaires;
2. The tolerance of output data can be vary up to 10%;
3. The output data is typical value.

【Optical Parameter】



[Packing]

Model	Size (mm/box)	Quantity /box	Quantity /carton	NW (kg/box)	NW (kg/carton)	GW (kg/carton)	Size (mm/carton)
TLS-M15SF42-N930B07	175*155*70 [6.89**6.1**2.76"]	1	12	0.16	1.92	4.9	370*330*230 [14.57**13**9.1"]

[Attentions]

1. Non-professionals are prohibited from installing, disassembling and repairing the product.
2. Avoid scratching, distortion and irregular bending of the product during installation; otherwise it may cause irreparable damage to the product.
3. Please use professional cutting tools when cutting
4. Do not use any acid or alkaline adhesive to fix products
5. The product is only suitable for indoor dry places, can not be used in outdoor, seaside or wet environment.